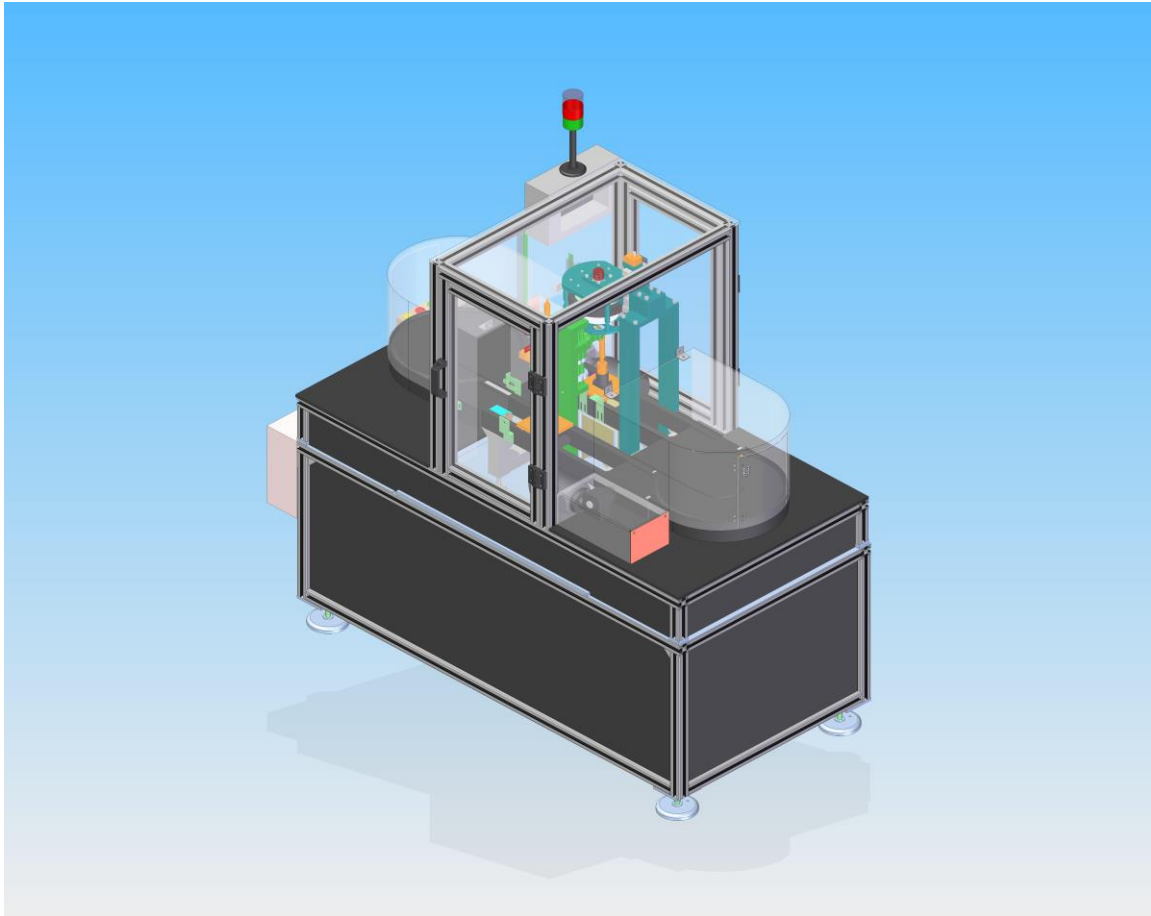


Quality Inspection Solution For OCR On Injector Nozzle



Character Image (Top View)



Character Image (Bottom View)



- **Machine Function/Task** : OCR for Type detection for capturing data into System Archive
- **System Configuration** : Designed to function at speed of 25 Numbers per min.
- **Target Parameter** : Optical Reading & Character Verification