

Outdoor

Outdoor enclosures

Basic enclosures	242
Wall-mounted enclosures	243

Outdoor project solutions

Toptec.....	244
Multifunctional enclosures.....	245

At home in any outdoor application



Energy

- Mounting benefits – Flexible basic enclosure, optionally with doors front and rear, for rapid interior installation and optimum on-site accessibility
- Variable base mounting – Easy to plan, because it is suitable for all site conditions: Concrete base/plinth, base plate, plastic base/plinth



Water industry

- Ideal material – Powder-coated aluminium for a long service life and corrosion resistance, plus fast machining of cut-outs
- Fast interior installation – All-round 25 mm system punchings and an extensive range of system accessories help to reduce assembly time



Telecommunications

- Fully integrated system solutions for mobile communications and broadband network installation reduce planning complexity
- Vandal-resistant – Enclosure solutions up to resistance category RC4



Telematics

- Optimum protection against corrosion – Coordinated mix of materials for heavily contaminated roadside environments increases servicing intervals



Outdoor Basic enclosures – Flexibility included



Systematic roof concept

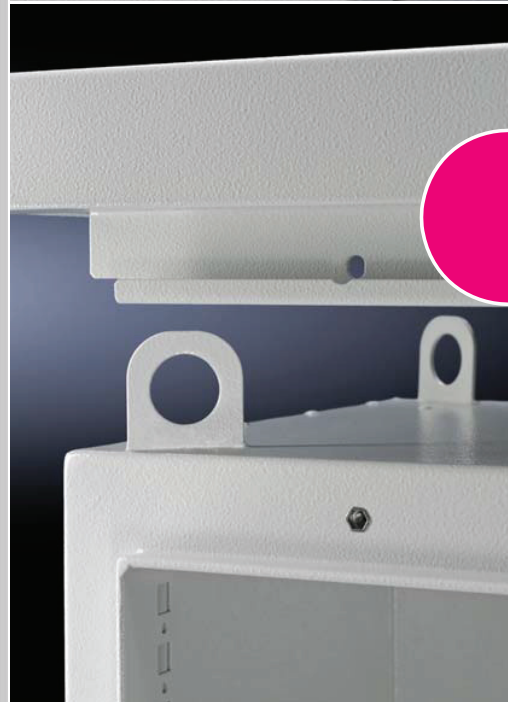
Multi-functional benefits:

- Roof projection increases the proportion of shading
- Air exchange with all-round louvred grilles
- Fan for active climate control has an IP-compatible covering



Integral transport options

- Eyebolts on the inner roof, concealed by the rain canopy
- For transporting the fully configured unit by crane



Systematic installation benefits

- System compatibility thanks to TS 8 system punchings in the base
- Extensive range of system-compatible accessories for individual installations



Outdoor Basic enclosures



Climate control Page 389 Rail systems Page 721 – 723 Cable routing Page 768

Outdoor enclosure with 100 mm transport plinth and rain canopy with projections on all sides.

Material:

- Aluminium AIMg3

Surface finish:

- Powder-coated
- UV-resistant pure polyester

Colour:

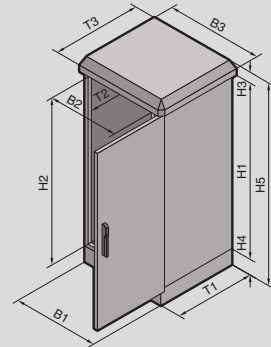
- RAL 7035

Protection category IP to IEC 60 529:

- IP 55
- NEMA 3R

Supply includes:

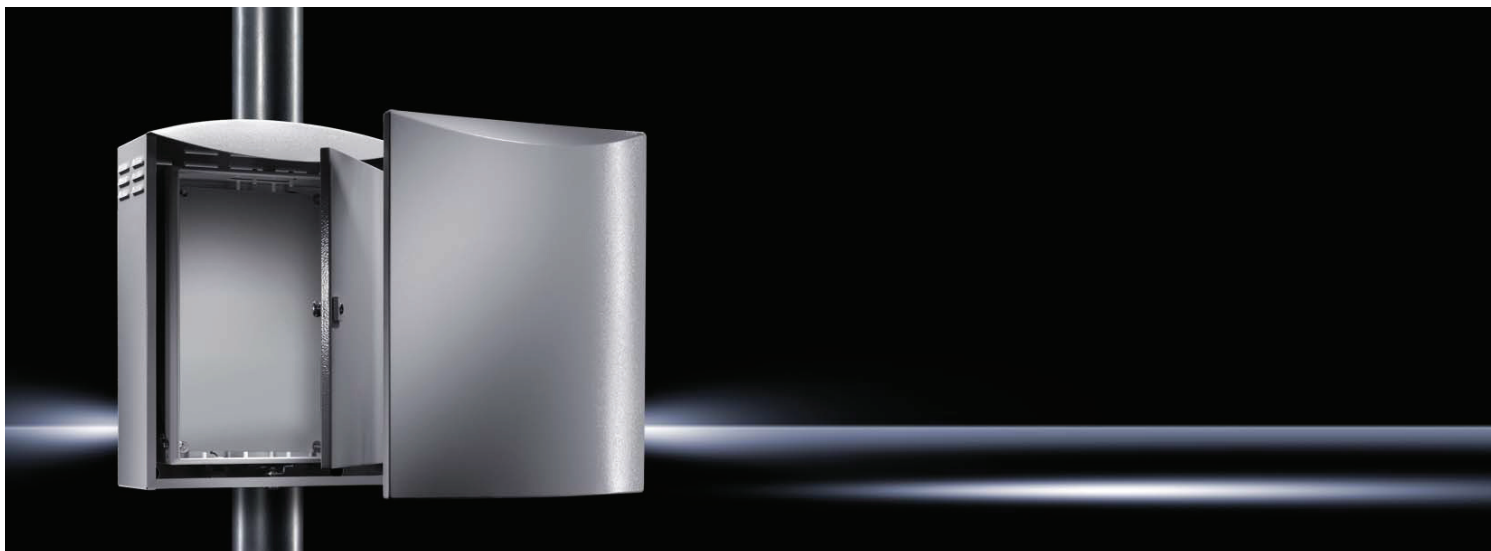
- Single-walled outdoor enclosure, fully preconfigured
- Basic enclosure with three-part gland plate
- 25 mm system punchings in the roof, base, front and in the enclosure depth
- Front door(s) with door stay, swing lever handle and semi-cylinder, lock BJ 20027
- Transport plinth with screw-fastened trim panels front and rear
- Enclosure width 1200 mm has two 600 mm wide mounting panels
- Rain canopy



Single-walled

Width (B1) mm	P. of	600	800	1200	Page
Height (H1) mm		1200	1200	1200	
Depth (T1) mm		500	500	500	
Clearance width (B2) mm		512	712	512	
Clearance height (H2) mm		1112	1112	1112	
Clearance depth (T2) mm		449	449	449	
Rain canopy width (B3) mm		650	850	1250	
Rain canopy height (H3) mm		55	55	55	
Rain canopy depth (T3) mm		550	550	550	
Base/plinth height (H4) mm		100	100	100	
Overall height (H5) mm		1355	1355	1355	
Model No.	1 pc(s).	9783.530	9783.610	9784.540	
Door(s)		1	1	2	
Weight kg		38.0	49.5	66.0	
With removable centre bar, 2 lockable doors		–	–	■	
Accessories					
Cable entry plates	2 pc(s).	8800.060	8800.080	8800.060	768
Mounting plates	1 pc(s).	9765.092	9765.095	9765.191	704
Enclosure heaters	1 pc(s).	3105.400	3105.400	3105.400	451
Thermostat	1 pc(s).	3110.000	3110.000	3110.000	467
Thermostat with strain relief	1 pc(s).	3110.100	3110.100	3110.100	467
Semi-cylinder	1 pc(s).	9785.040	9785.040	9785.040	675
Mounting angles 19°	2 pc(s).	7688.000	7688.000	7688.000	802
Depth stays for mounting angles 19°	2 pc(s).	7696.000	7698.000	7696.000	803

Outdoor wall-mounted enclosures



Compact enclosures AE, stainless steel Page 219 Hygienic Design Page 209

Outdoor enclosures for wall or pole mounting. Enclosure-within-an-enclosure concept, outer enclosure with cut-out at the bottom and integrated louvres on the rear panel and side panels for ventilation.

Material:

- Enclosure: Aluminium AlMg3
- Mounting plate: Sheet steel

Surface finish:

- Enclosure: Powder-coated, UV-resistant pure polyester
- Mounting plate: Zinc-plated

Colour:

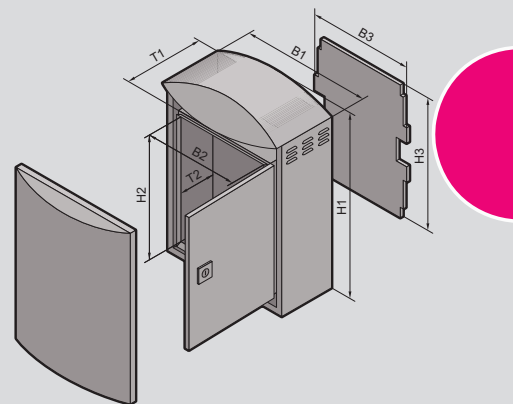
- RAL 7035

Protection category IP to IEC 60 529:

- IP 55

Supply includes:

- Double-walled outdoor enclosure fully preconfigured
- Inner enclosure with mounting plate, gland plate and security lock (CS 9791.045 with 2 security locks)
- Mounting bracket for enclosure internal thermostat or hygrosat
- Outer enclosure with designer cover and security lock 3524 E
- 2 C rails on the rear panel



Double-walled

Outer enclosure						
Width (B1) mm	Packs of	370	420	530	630	Page
Height (H1) mm		522	560	700	780	
Depth (T1) mm		210	210	265	380	
Inner enclosure						
Width (B2) mm		300	350	460	580	
Height (H2) mm		400	440	565	580	
Depth (T2) mm		170	170	220	333	
Clearance width mm		280	330	440	560	
Clearance height mm		380	420	545	560	
Clearance depth mm		145	145	195	308	
Mounting plate width (B3) mm		270	320	430	550	
Mounting plate height (H3) mm		380	410	535	550	
Model No.	1 pc(s).	9791.015	9791.025	9791.035	9791.045	
Accessories						
Pole clamp	1 set(s)	2584.000	2584.000	2584.000	2584.000	700
Enclosure heaters	1 pc(s).	3105.330	3105.330	3105.330	3105.330	451
Thermostat	1 pc(s).	3110.000	3110.000	3110.000	3110.000	467
Thermostat with strain relief	1 pc(s).	3110.100	3110.100	3110.100	3110.100	467
Hygrosat	1 pc(s).	3118.000	3118.000	3118.000	3118.000	468
Hygrosat with strain relief	1 pc(s).	3118.100	3118.100	3118.100	3118.100	468
Socket	2 pc(s).	2506.100	2506.100	2506.100	2506.100	510
LED system light	1 pc(s).	2500.100	2500.100	2500.100	2500.100	750

Toptec – project solutions

Universal platform for outdoor applications

- TS 8 frame – Identical system platform in the outdoor sector as for IE or IT free-standing enclosures
- Weather canopy – With projection on all sides
- Chimney effect of the twin-walled structure – Reduces the influence of sunlight
- Mounting benefit – Open frame structure means fast configuration, also applies to bayed variants



Version

Enclosure type:

- Outdoor enclosure, twin-walled

Material:

- Base frame: Stainless steel
- Enclosure panels: Aluminium
- Rain canopy: Aluminium

Multifunctional enclosures – project solutions

Platform for telecommunications solutions

- Weather canopy – With ventilation
- Gland plate with cable glands
- 482.6 mm (19") mounting angles inside the enclosure, in stainless steel throughout
- Aluminium mounting plate
- Depending on the design, with single door/two doors, symmetrical or asymmetrical



Version

Enclosure type:

- Modular outdoor enclosure system, single- or twin-walled

Material:

- Base frame: Aluminium
- Enclosure and panels: Aluminium
- Rain canopy: Aluminium
- 482.6 mm (19") mounting angles: Stainless steel

Rittal – The System.

Faster – better – everywhere.



ENCLOSURES

POWER DISTRIBUTION

CLIMATE CONTROL

FRIEDHELM LOH GROUP