

Cooling units

Thermoelectric coolers

Thermoelectric coolers	100 W	412
------------------------------	-------------	-----

Wall-mounted cooling units

TopTherm, horizontal format	300 W	413
TopTherm	300 W	414
TopTherm Blue e	500 W	415
TopTherm Blue e	750 W	416
TopTherm Blue e	1000 W	417
TopTherm Blue e	1500 W	418
TopTherm Blue e	2000 W	419
TopTherm Blue e	2500 W	420
TopTherm Blue e	4000 W	420
TopTherm Blue e, slimline	1500 W	421
Blue e+	2000 – 6000 W	426
TopTherm Blue e, NEMA 4X	500 – 1500 W	428
TopTherm Blue e, NEMA 4X	2000 – 2500 W	429

Roof-mounted cooling units

TopTherm Blue e	500 W	430
TopTherm Blue e	750 W	431
TopTherm Blue e	1000 W	431
TopTherm Blue e	1100 – 1500 W	432
TopTherm Blue e	2000 W	432
TopTherm Blue e	3000 – 4000 W	433

Modular climate control concept

Cooling module Blue e	1500 – 2500 W	434
Section doors for installing cooling modules		435

World's first The world's most efficient range of cooling units – Blue e+

The principle:

- **Efficient** – Energy savings of up to 75% due to speed-regulated components and heat pipe technology
- **Versatile** – Unique multi-voltage capability supports global use
- **Safe** – Longer service life of all components inside the enclosure and the cooling unit due to component-friendly cooling
- **User-friendly** – Touch display and intelligent interfaces support intuitive operation



Thermoelectric cooler



Accessories for climate control Page 454 Therm software Page 474

Material:

- Device: Aluminium, anodised

Colour:

- Colour of cover: RAL 7024

Protection category IP to IEC 60 529:

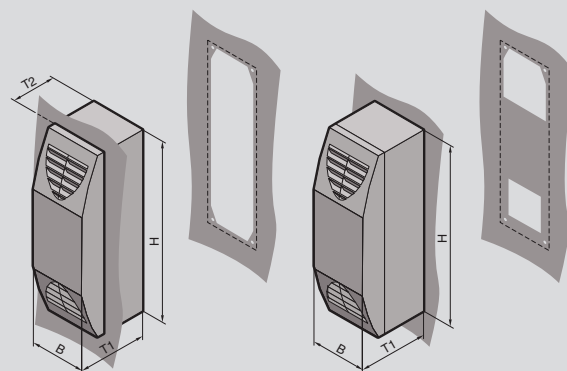
- External circuit IP 34
- Internal circuit IP 54

Supply includes:

- Thermoelectric climate control unit
- Fully wired ready for connection (plug-in terminal strip)
- Mounting accessories
- Parameterisation software

Performance diagrams:

Available on the Internet



Total cooling/heating output 100 W

Model No.	Packs of	3201.200	3201.300	Page
Rated operating voltage V, ~, Hz		100 - 240, 1~, 50/60	24 (DC)	
Total cooling output L35 L35 W		100 / 100	100	
Thermal output W		100	100	
Width (B) mm		125	125	
Height (H) mm		400	400	
Depth (T1) mm		155	155	
Installation depth (T2) mm		100	100	
Pre-fuse A		4	10	
Operating temperature range		-30°C...+55°C	-30°C...+60°C	
Setting range, cooling		+5°C...+55°C	+5°C...+55°C	
Setting range, heating		-10°C...+20°C	-10°C...+20°C	
Refrigeration factor/COP		1	1.2	
Power pack integrated		■	-	
Air throughput of fans (unimpeded air flow), internal circuit/external circuit m³/h		45 / 45	45 / 45	
Weight kg		3.0	2.4	
Accessories				
Spare filter mats	5 pc(s).	3201.050	3201.050	456
Master/slave adaptor	1 pc(s).	3201.070	3201.070	471
Condensate hose	1 pc(s).	3301.606	3301.606	464

TopTherm wall-mounted cooling units, horizontal format



Accessories for climate control Page 454 Therm software Page 474

Temperature control:

- Basic controller (factory setting +35°C)

Colour:

- RAL 7035

Protection category IP to IEC 60 529:

- External circuit IP 34
- Internal circuit IP 54

Supply includes:

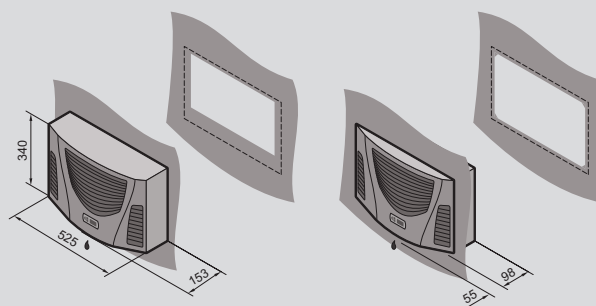
- Nano-coated condenser
- Fully wired ready for connection (plug-in terminal strip)
- Drilling template
- Assembly parts

Approvals:

Available on the Internet

Performance diagrams:

Available on the Internet



Output class 300 W

Model No.	Packs of	3302.300	3302.310	Page
Material	Sheet steel	■	■	
Total cooling output 50 Hz L35 L35 to DIN EN 14511 kW		0.36	–	
Total cooling output 50/60 Hz L35 L35 kW		0.36 / 0.38	0.38	
Total cooling output 50/60 Hz L35 L50 kW		0.21 / 0.22	0.23	
Rated operating voltage V, ~, Hz		230, 1~, 50/60	115, 1~, 60	
Width mm		525	525	
Height mm		340	340	
Depth mm		153	153	
Rated current max. A		1.6 / 1.7	4	
Start-up current A		4.3 / 5.3	12	
Pre-fuse A		10	10	
Power consumption P _{el} 50/60 Hz L35 L35 kW		0.27 / 0.29	0.32	
Power consumption P _{el} 50/60 Hz L35 L50 kW		0.31 / 0.33	0.37	
Operating temperature range		+10°C...+55°C	+10°C...+55°C	
Setting range		+30°C...+55°C	+30°C...+55°C	
Energy efficiency ratio (EER) 50 Hz L35 L35 to DIN EN 14511		1.3	1.18	
Refrigerant g		R134a, 100	R134a, 95	
Permissible operating pressure (p. max.) bar		25	25	
Air throughput of fans (unimpeded air flow), internal circuit/external circuit m ³ /h		310 / 310	300 / 300	
Weight kg		13.0	13.0	
Accessories				
Filter mats	3 pc(s).	3286.110	3286.110	454
Metal filters	1 pc(s).	3286.120	3286.120	455
Door-operated switch	1 pc(s).	4127.010	4127.010	755
Condensate hose	1 pc(s).	3301.608	3301.608	464

TopTherm wall-mounted cooling units



Accessories for climate control Page 454 Therm software Page 474

Temperature control:

- Basic controller (factory setting +35°C)

Protection category IP to IEC 60 529:

- External circuit IP 34
- Internal circuit IP 54

Supply includes:

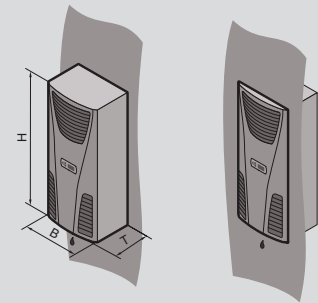
- Nano-coated condenser
- Fully wired ready for connection (plug-in terminal strip)
- Drilling template
- Assembly parts

Approvals:

Available on the Internet

Performance diagrams:

Available on the Internet



Output class 300 W

Model No.	Packs of	3302.100	3302.110	3302.200	Page
Material	Sheet steel	■	■	–	
	Stainless steel	–	–	■	
Colour	RAL 7035	■	■	–	
Total cooling output 50 Hz L35 L35 to DIN EN 14511 kW		0.36	–	0.36	
Total cooling output 50/60 Hz L35 L35 kW		0.36 / 0.38	0.38	0.36 / 0.38	
Total cooling output 50/60 Hz L35 L50 kW		0.21 / 0.23	0.23	0.21 / 0.23	
Rated operating voltage V, –, Hz		230, 1–, 50/60	115, 1–, 60	230, 1–, 50/60	
Width (B) mm		280	280	280	
Height (H) mm		550	550	550	
Depth (T) mm		140	140	140	
Rated current max. A		1.6 / 1.7	3.3	1.6 / 1.7	
Start-up current A		3 / 3.4	8	3 / 3.4	
Pre-fuse A		10	10	10	
Power consumption P _{el} 50/60 Hz L35 L35 kW		0.27 / 0.28	0.32	0.27 / 0.28	
Power consumption P _{el} 50/60 Hz L35 L50 kW		0.28 / 0.3	0.37	0.28 / 0.3	
Operating temperature range		+10°C...+55°C	+10°C...+55°C	+10°C...+55°C	
Setting range		+30°C...+55°C	+30°C...+55°C	+30°C...+55°C	
Energy efficiency ratio (EER) 50 Hz L35 L35 to DIN EN 14511		1.3	1.18	1.3	
Refrigerant g		R134a, 100	R134a, 100	R134a, 100	
Permissible operating pressure (p. max.) bar		25	25	25	
Air throughput of fans (unimpeded air flow), internal circuit/external circuit m ³ /h		345 / 310	345 / 310	345 / 310	
Weight kg		13.0	13.0	13.0	
Accessories					
Filter mats	3 pc(s).	3286.300	3286.300	3286.300	454
Metal filters	1 pc(s).	3286.310	3286.310	3286.310	455
Door-operated switch	1 pc(s).	4127.010	4127.010	4127.010	755
Condensate hose	1 pc(s).	3301.608	3301.608	3301.608	464

TopTherm wall-mounted cooling units "Blue e"



Accessories for climate control Page 454 Therm software Page 474 RiDiag software Page 474

Temperature control:

- e-Comfort controller (factory setting +35°C)

Protection category IP to IEC 60 529:

- External circuit IP 34
- Internal circuit IP 54

Supply includes:

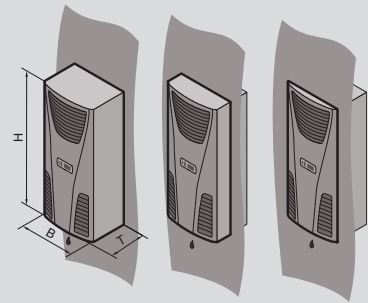
- Nano-coated condenser
- Fully wired ready for connection (plug-in terminal strip)
- Drilling template
- Assembly parts

Approvals:

Available on the Internet

Performance diagrams:

Available on the Internet



Output class 500 W

Model No.	Packs of	3303.500	3303.510	3303.600	Page
Material	Sheet steel	■	■	-	
	Stainless steel	-	-	■	
Colour	RAL 7035	■	■	-	
Total cooling output 50 Hz L35 L35 to DIN EN 14511 kW		0.55	-	0.55	
Total cooling output 50/60 Hz L35 L35 kW		0.55 / 0.66	0.66	0.55 / 0.66	
Total cooling output 50/60 Hz L35 L50 kW		0.33 / 0.4	0.4	0.33 / 0.4	
Rated operating voltage V, ~, Hz		230, 1~, 50/60	115, 1~, 60	230, 1~, 50/60	
Width (B) mm		280	280	280	
Height (H) mm		550	550	550	
Depth (T) mm		210	210	210	
Rated current max. A		2.6 / 2.6	5.7	2.6 / 2.6	
Start-up current A		5.1 / 6.4	11.5	5.1 / 6.4	
Pre-fuse A		10	10	10	
Transformer circuit-breaker		-	-	-	
Toroidal transformer (external) Ø x D		-	-	-	
Power consumption P _{el} 50/60 Hz L35 L35 kW		0.39 / 0.41	0.5	0.39 / 0.41	
Power consumption P _{el} 50/60 Hz L35 L50 kW		0.45 / 0.42	0.53	0.45 / 0.42	
Operating temperature range		+10°C...+55°C	+10°C...+55°C	+10°C...+55°C	
Operating temperature (max.) 60 Hz		-	-	-	
Setting range		+20°C...+55°C	+20°C...+55°C	+20°C...+55°C	
Energy efficiency ratio (EER) 50 Hz L35 L35 to DIN EN 14511		1.4	1.4	1.4	
Refrigerant g		R134a, 170	R134a, 170	R134a, 170	
Permissible operating pressure (p. max.) bar		28	28	28	
Air throughput of fans (unimpeded air flow), internal circuit/external circuit m ³ /h		265 / 315	280 / 345	265 / 315	
Weight kg		17.0	17.0	17.0	
Accessories					
Filter mats	3 pc(s).	3286.300	3286.300	3286.300	454
Metal filters	1 pc(s).	3286.310	3286.310	3286.310	455
Door-operated switch	1 pc(s).	4127.010	4127.010	4127.010	755
Interface board	1 pc(s).	3124.200	3124.200	3124.200	470

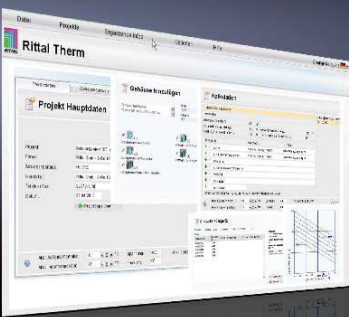
TopTherm wall-mounted cooling units "Blue e"

Output class 750 W

Model No.	Packs of	3361.500	3361.510	3361.540	3361.600	Page
Material	Sheet steel	■	■	■	–	
	Stainless steel	–	–	–	■	
Colour	RAL 7035	■	■	■	–	
Total cooling output 50 Hz L35 L35 to DIN EN 14511 kW		0.85	–	0.85	0.85	
Total cooling output 50/60 Hz L35 L35 kW		0.85 / 0.89	0.89	0.85 / 0.89	0.85 / 0.89	
Total cooling output 50/60 Hz L35 L50 kW		0.67 / 0.67	0.67	0.67 / 0.67	0.67 / 0.67	
Rated operating voltage V, ~, Hz		230, 1~, 50/60	115, 1~, 60	400, 2~, 50/60	230, 1~, 50/60	
Width (B) mm		280	280	280	280	
Height (H) mm		550	550	550	550	
Depth (T) mm		280	280	280	280	
Rated current max. A		2.7 / 2.7	5.3	1.2 / 1.4	2.7 / 2.7	
Start-up current A		6 / 9.6	12	3.1 / 3.3	6 / 9.6	
Pre-fuse A		10	10	–	10	
Transformer circuit-breaker A		–	–	6.3..10	–	
Toroidal transformer (external) Ø x D mm		–	–	126 x 65	–	
Power consumption P _{el} 50/60 Hz L35 L35 kW		0.4 / 0.43	0.55	0.4 / 0.43	0.4 / 0.43	
Power consumption P _{el} 50/60 Hz L35 L50 kW		0.47 / 0.5	0.66	0.47 / 0.5	0.47 / 0.5	
Operating temperature range		+10°C...+55°C	+10°C...+55°C	+10°C...+55°C	+10°C...+55°C	
Operating temperature (max.) 60 Hz		+53°C	+52°C	+53°C	+53°C	
Setting range		+20°C...+55°C	+20°C...+55°C	+20°C...+55°C	+20°C...+55°C	
Energy efficiency ratio (EER) 50 Hz L35 L35 to DIN EN 14511		2.08	1.59	2.08	2.08	
Refrigerant g		R134a, 280	R134a, 260	R134a, 280	R134a, 280	
Permissible operating pressure (p. max.) bar		28	28	28	28	
Air throughput of fans (unimpeded air flow), internal circuit/external circuit m ³ /h		230 / 550	230 / 625	230 / 550	230 / 550	
Weight kg		22.0	22.0	22.0	22.0	
Accessories						
Filter mats	3 pc(s).	3286.300	3286.300	3286.300	3286.300	454
Metal filters	1 pc(s).	3286.310	3286.310	3286.310	3286.310	455
Door-operated switch	1 pc(s).	4127.010	4127.010	4127.010	4127.010	755
Interface board	1 pc(s).	3124.200	3124.200	3124.200	3124.200	470



Accessories



Therm software

see page 474

TopTherm wall-mounted cooling units "Blue e"



Accessories for climate control Page 454 Therm software Page 474 RiDiag software Page 474

Temperature control:

- e-Comfort controller (factory setting +35°C)

Protection category IP to IEC 60 529:

- External circuit IP 34
- Internal circuit IP 54

Supply includes:

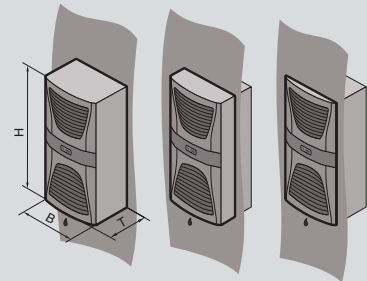
- Nano-coated condenser
- Integral electric condensate evaporation
- Fully wired ready for connection (plug-in terminal strip)
- Drilling template
- Assembly parts

Approvals:

Available on the Internet

Performance diagrams:

Available on the Internet



Output class 1000 W

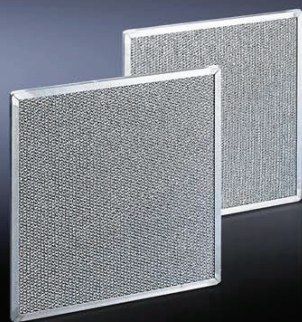
Model No.	Packs of	3304.500	3304.510	3304.540	3304.600	3304.640	Page
Material	Sheet steel	■	■	■	-	-	
	Stainless steel	-	-	-	■	■	
Colour	RAL 7035	■	■	■	-	-	
Total cooling output 50 Hz L35 L35 to DIN EN 14511 kW		1.1	1.1	1.1	1.1	1.1	
Total cooling output 50/60 Hz L35 L35 kW		1.1 / 1.25	1.1 / 1.25	1.1 / 1.25	1.1 / 1.25	1.1 / 1.25	
Total cooling output 50/60 Hz L35 L50 kW		0.91 / 0.9	0.91 / 0.9	0.98 / 0.9	0.91 / 0.9	0.98 / 0.9	
Rated operating voltage V, ~, Hz		230, 1~, 50/60	115, 1~, 50/60	400, 3~, 50 460, 3~, 60	230, 1~, 50/60	400, 3~, 50 460, 3~, 60	
Width (B) mm		400	400	400	400	400	
Height (H) mm		950	950	950	950	950	
Depth (T) mm		260	260	260	260	260	
Rated current max. A		3.9 / 4.3	8 / 8.8	2.2 / 2.1	5.4 / 5	2.8 / 2.4	
Start-up current A		12 / 14	26 / 28	11.5 / 12.7	12 / 14	11.5 / 12.7	
Pre-fuse A		10	-	-	10	-	
Transformer circuit-breaker A		-	11...16	-	-	-	
Motor circuit-breaker A		-	-	6.3...10	-	6.3...10	
Power consumption P _{el} 50/60 Hz L35 L35 kW		0.64 / 0.68	0.64 / 0.68	0.64 / 0.79	0.64 / 0.68	0.64 / 0.79	
Power consumption P _{el} 50/60 Hz L35 L50 kW		0.71 / 0.81	0.71 / 0.81	0.73 / 0.9	0.71 / 0.81	0.73 / 0.9	
Operating temperature range		+10°C...+55°C	+10°C...+55°C	+10°C...+55°C	+10°C...+55°C	+10°C...+55°C	
Setting range		+20°C...+55°C	+20°C...+55°C	+20°C...+55°C	+20°C...+55°C	+20°C...+55°C	
Energy efficiency ratio (EER) 50 Hz L35 L35 to DIN EN 14511		1.83	1.83	1.72	1.83	1.72	
Refrigerant g		R134a, 325	R134a, 325	R134a, 325	R134a, 325	R134a, 325	
Permissible operating pressure (p. max.) bar		28	28	28	28	28	
Air throughput of fans (unimpeded air flow), internal circuit/external circuit m ³ /h		600 / 900	600 / 900	600 / 900	600 / 900	600 / 900	
Weight kg		39.0	44.0	40.0	39.0	40.0	
Accessories							
Filter mats	3 pc(s).	3286.400	3286.400	3286.400	3286.400	3286.400	454
Metal filters	1 pc(s).	3286.410	3286.410	3286.410	3286.410	3286.410	455
Door-operated switch	1 pc(s).	4127.010	4127.010	4127.010	4127.010	4127.010	755

TopTherm wall-mounted cooling units "Blue e"

Output class 1500 W

Model No.	Packs of	3305.500	3305.510	3305.540	3305.600	3305.640	Page
Material	Sheet steel	■	■	■	–	–	
	Stainless steel	–	–	–	■	■	
Colour	RAL 7035	■	■	■	–	–	
Total cooling output 50 Hz L35 L35 to DIN EN 14511 kW		1.6	1.6	1.6	1.6	1.6	
Total cooling output 50/60 Hz L35 L35 kW		1.6 / 1.76	1.6 / 1.76	1.6 / 1.61	1.6 / 1.76	1.6 / 1.61	
Total cooling output 50/60 Hz L35 L50 kW		1.25 / 1.37	1.25 / 1.37	1.33 / 1.35	1.25 / 1.37	1.33 / 1.35	
Rated operating voltage V, –, Hz		230, 1–, 50/60	115, 1–, 50/60	400, 3–, 50 460, 3–, 60	230, 1–, 50/60	400, 3–, 50 460, 3–, 60	
Width (B) mm		400	400	400	400	400	
Height (H) mm		950	950	950	950	950	
Depth (T) mm		260	260	260	260	260	
Rated current max. A		5.5 / 5.8	11.5 / 12.5	2.5 / 2.8	5.5 / 5.8	2.5 / 2.8	
Start-up current A		12 / 14	26 / 28	12.2 / 11.3	12 / 14	12.2 / 11.3	
Pre-fuse A		16	–	–	16	–	
Transformer circuit-breaker A		–	14...20	–	–	–	
Motor circuit-breaker A		–	–	6.3...10	–	6.3...10	
Power consumption P _{el} 50/60 Hz L35 L35 kW		0.87 / 0.98	0.87 / 0.98	0.9 / 1.08	0.87 / 0.98	0.9 / 1.08	
Power consumption P _{el} 50/60 Hz L35 L50 kW		1.03 / 1.15	1.03 / 1.15	1.06 / 1.25	1.03 / 1.15	1.06 / 1.25	
Operating temperature range		+10°C...+55°C	+10°C...+55°C	+10°C...+55°C	+10°C...+55°C	+10°C...+55°C	
Setting range		+20°C...+55°C	+20°C...+55°C	+20°C...+55°C	+20°C...+55°C	+20°C...+55°C	
Energy efficiency ratio (EER) 50 Hz L35 L35 to DIN EN 14511		1.83	1.83	1.83	1.83	1.83	
Refrigerant g		R134a, 500	R134a, 500	R134a, 500	R134a, 500	R134a, 500	
Permissible operating pressure (p. max.) bar		28	28	28	28	28	
Air throughput of fans (unimpeded air flow), internal circuit/external circuit m ³ /h		800 / 900	800 / 900	800 / 900	800 / 900	800 / 900	
Weight kg		41.0	46.0	42.0	41.0	42.0	
Accessories							
Filter mats	3 pc(s).	3286.400	3286.400	3286.400	3286.400	3286.400	454
Metal filters	1 pc(s).	3286.410	3286.410	3286.410	3286.410	3286.410	455
Door-operated switch	1 pc(s).	4127.010	4127.010	4127.010	4127.010	4127.010	755

Accessories



Metal filters

see page 455

TopTherm wall-mounted cooling units "Blue e"



Accessories for climate control Page 454 Therm software Page 474 RiDiag software Page 474

Temperature control:

- e-Comfort controller (factory setting +35°C)

Protection category IP to IEC 60 529:

- External circuit IP 34
- Internal circuit IP 54

Supply includes:

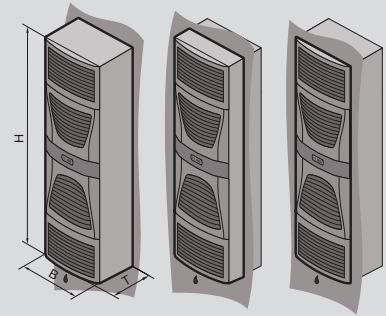
- Nano-coated condenser
- Integral electric condensate evaporation
- Fully wired ready for connection (plug-in terminal strip)
- Drilling template
- Assembly parts

Approvals:

Available on the Internet

Performance diagrams:

Available on the Internet



Output class 2000 W

Model No.		Packs of	3328.500	3328.510	3328.540	3328.600	3328.640	Page
Material	Sheet steel		■	■	■	-	-	
	Stainless steel		-	-	-	■	■	
Colour	RAL 7035		■	■	■	-	-	
Total cooling output 50 Hz L35 L35 to DIN EN 14511 kW			2.2	2.2	2.2	2.2	2.2	
Total cooling output 50/60 Hz L35 L35 kW			2.2 / 2.56	2.2 / 2.56	2.2 / 2.55	2.2 / 2.56	2.2 / 2.55	
Total cooling output 50/60 Hz L35 L50 kW			1.82 / 1.95	1.82 / 1.95	1.65 / 1.89	1.82 / 1.95	1.65 / 1.89	
Rated operating voltage V, ~, Hz			230, 1~, 50/60	115, 1~, 50/60	400, 3~, 50/460, 3~, 60	230, 1~, 50/60	400, 3~, 50/460, 3~, 60	
Width (B) mm			400	400	400	400	400	
Height (H) mm			1580	1580	1580	1580	1580	
Depth (T) mm			295	295	295	295	295	
Rated current max. A			6.1 / 6.6	13.4 / 14.8	2.8 / 3.3	6.1 / 6.6	2.8 / 3.3	
Start-up current A			20 / 22	40 / 38	6.8 / 7.8	20 / 22	6.8 / 7.8	
Pre-fuse A			16	-	-	16	-	
Transformer circuit-breaker A			-	18...25	-	-	-	
Motor circuit-breaker A			-	-	6.3...10	-	6.3...10	
Power consumption P _{el} 50/60 Hz L35 L35 kW			0.91 / 1.03	0.91 / 1.03	0.92 / 1.15	0.91 / 1.03	0.92 / 1.15	
Power consumption P _{el} 50/60 Hz L35 L50 kW			1.06 / 1.23	1.06 / 1.23	1.15 / 1.4	1.06 / 1.23	1.15 / 1.4	
Operating temperature range			+10°C...+55°C	+10°C...+55°C	+10°C...+55°C	+10°C...+55°C	+10°C...+55°C	
Setting range			+20°C...+55°C	+20°C...+55°C	+20°C...+55°C	+20°C...+55°C	+20°C...+55°C	
Energy efficiency ratio (EER) 50 Hz L35 L35 to DIN EN 14511			2.4	2.4	2.4	2.4	2.4	
Refrigerant g			R134a, 950	R134a, 950	R134a, 950	R134a, 950	R134a, 950	
Permissible operating pressure (p. max.) bar			28	28	28	28	28	
Air throughput of fans (unimpeded air flow), internal circuit/external circuit m ³ /h			980 / 980	980 / 980	900 / 900	980 / 980	900 / 900	
Weight kg			66.0	73.0	67.0	66.0	67.0	
Accessories								
Filter mats		3 pc(s).	3286.400	3286.400	3286.400	3286.400	3286.400	454
Metal filters		1 pc(s).	3286.410	3286.410	3286.410	3286.410	3286.410	455

TopTherm wall-mounted cooling units "Blue e"

Output class 2500 W

Model No.		Packs of	3329.500	3329.510	3329.540	3329.600	3329.640	Page
Material	Sheet steel		■	■	■	–	–	
	Stainless steel		–	–	–	■	■	
Colour	RAL 7035		■	■	■	–	–	
Total cooling output 50 Hz L35 L35 to DIN EN 14511 kW			2.55	2.55	2.55	2.55	2.55	
Total cooling output 50/60 Hz L35 L35 kW			2.55 / 2.71	2.55 / 2.71	2.55 / 2.75	2.55 / 2.71	2.55 / 2.75	
Total cooling output 50/60 Hz L35 L50 kW			1.89 / 1.97	1.89 / 1.97	1.95 / 2	1.89 / 1.97	1.95 / 2	
Rated operating voltage V, ~, Hz			230, 1~, 50/60	115, 1~, 50/60	400, 3~, 50/460, 3~, 60	230, 1~, 50/60	400, 3~, 50/460, 3~, 60	
Width (B) mm			400	400	400	400	400	
Height (H) mm			1580	1580	1580	1580	1580	
Depth (T) mm			295	295	295	295	295	
Rated current max. A			8.2 / 9.3	17 / 22	3.7 / 3.8	8.2 / 9.3	3.7 / 3.8	
Start-up current A			20 / 24	44 / 42	6.8 / 7.6	20 / 24	6.8 / 7.6	
Pre-fuse A			16	–	–	16	–	
Transformer circuit-breaker A			–	18...25	–	–	–	
Motor circuit-breaker A			–	–	6.3...10	–	6.3...10	
Power consumption P _{el} 50/60 Hz L35 L35 kW			1.21 / 1.35	1.21 / 1.35	1.19 / 1.39	1.21 / 1.35	1.19 / 1.39	
Power consumption P _{el} 50/60 Hz L35 L50 kW			1.41 / 1.64	1.41 / 1.64	1.45 / 1.75	1.41 / 1.64	1.45 / 1.75	
Operating temperature range			+10°C...+55°C	+10°C...+55°C	+10°C...+55°C	+10°C...+55°C	+10°C...+55°C	
Setting range			+20°C...+55°C	+20°C...+55°C	+20°C...+55°C	+20°C...+55°C	+20°C...+55°C	
Energy efficiency ratio (EER) 50 Hz L35 L35 to DIN EN 14511			2.11	2.11	2.11	2.11	2.11	
Refrigerant g			R134a, 950	R134a, 950	R134a, 950	R134a, 950	R134a, 950	
Permissible operating pressure (p. max.) bar			28	28	28	28	28	
Air throughput of fans (unimpeded air flow), internal circuit/external circuit m ³ /h			1230 / 1230	1230 / 1230	1200 / 1200	1230 / 1230	1200 / 1200	
Weight kg			69.0	76.0	70.0	69.0	70.0	
Accessories								
Filter mats			3 pc(s).	3286.400	3286.400	3286.400	3286.400	454
Metal filters			1 pc(s).	3286.410	3286.410	3286.410	3286.410	455

Output class 4000 W

Model No.		Packs of	3332.540	3332.640	Page
Material	Sheet steel		■	–	
	Stainless steel		–	■	
Colour	RAL 7035		■	–	
Total cooling output 50 Hz L35 L35 to DIN EN 14511 kW			3.95	3.95	
Total cooling output 50/60 Hz L35 L35 kW			3.95 / 4.35	3.95 / 4.35	
Total cooling output 50/60 Hz L35 L50 kW			3.02 / 3.52	3.02 / 3.52	
Rated operating voltage V, ~, Hz			400, 3~, 50/460, 3~, 60	400, 3~, 50/460, 3~, 60	
Width (B) mm			500	500	
Height (H) mm			1580	1580	
Depth (T) mm			340	340	
Rated current max. A			4.2 / 4.2	4.2 / 4.2	
Start-up current A			9.2 / 11	9.2 / 11	
Pre-fuse			–	–	
Transformer circuit-breaker			–	–	
Motor circuit-breaker A			6.3...10	6.3...10	
Power consumption P _{el} 50/60 Hz L35 L35 kW			1.6 / 2	1.6 / 2	
Power consumption P _{el} 50/60 Hz L35 L50 kW			1.87 / 2.34	1.87 / 2.34	
Operating temperature range			+10°C...+55°C	+10°C...+55°C	
Setting range			+20°C...+55°C	+20°C...+55°C	
Energy efficiency ratio (EER) 50 Hz L35 L35 to DIN EN 14511			2.47	2.47	
Refrigerant g			R134a, 2995	R134a, 2995	
Permissible operating pressure (p. max.) bar			28	28	
Air throughput of fans (unimpeded air flow), internal circuit/external circuit m ³ /h			1500 / 2000	1500 / 2000	
Weight kg			91.0	91.0	
Accessories					
Filter mats			3 pc(s).	3286.400	454
Metal filters			1 pc(s).	3286.410	455

TopTherm wall-mounted cooling units "Blue e", slimline



Accessories for climate control Page 454 Therm software Page 474 RiDiag software Page 474

Temperature control:

- e-Comfort controller (factory setting +35°C)

Protection category IP to IEC 60 529:

- External circuit IP 34
- Internal circuit IP 54

Supply includes:

- Nano-coated condenser
- Integral electric condensate evaporation
- Fully wired ready for connection (plug-in terminal strip)
- Drilling template
- Assembly parts

Approvals:

Available on the Internet

Performance diagrams:

Available on the Internet

Output class 1500 W

Model No.	Packs of	3366.500	3366.540	Page
Material	Sheet steel	■	■	
Colour	RAL 7035	■	■	
Total cooling output 50 Hz L35 L35 to DIN EN 14511 kW		1.6	1.6	
Total cooling output 50/60 Hz L35 L35 kW		1.6 / 1.6	1.6 / 1.6	
Total cooling output 50/60 Hz L35 L50 W		1.15 / 1.2	1.08 / 1.18	
Rated operating voltage V, ~, Hz		230, 1~, 50/60	400, 3~, 50 460, 3~, 60	
Width mm		435	435	
Height mm		1590	1590	
Depth mm		205	205	
Rated current max. A		6.7 / 6.9	2.7 / 2.9	
Start-up current A		22 / 24	8 / 8.8	
Pre-fuse A		10	-	
Transformer circuit-breaker		-	-	
Motor circuit-breaker A		-	6.3...10	
Power consumption P _{el} 50/60 Hz L35 L35 kW		0.84 / 0.97	0.9 / 1.05	
Power consumption P _{el} 50/60 Hz L35 L50 kW		1.02 / 1.13	1.08 / 1.25	
Operating temperature range		+10°C...+55°C	+10°C...+55°C	
Setting range		+20°C...+55°C	+20°C...+55°C	
Energy efficiency ratio (EER) 50 Hz L35 L35 to DIN EN 14511		1.9	1.9	
Refrigerant g		R134a, 700	R134a, 700	
Permissible operating pressure (p. max.) bar		28	28	
Air throughput of fans (unimpeded air flow), internal circuit/external circuit m ³ /h		860 / 910	860 / 910	
Weight kg		45.0	46.0	

Accessories

Accessories	Packs of	3366.500	3366.540	Page
Filter mats	3 pc(s).	3286.400	3286.400	454
Metal filters	1 pc(s).	3286.410	3286.410	455
Door-operated switch	1 pc(s).	4127.010	4127.010	755
Condensate hose	1 pc(s).	3301.612	3301.612	464

Wall-mounted cooling units Blue e+



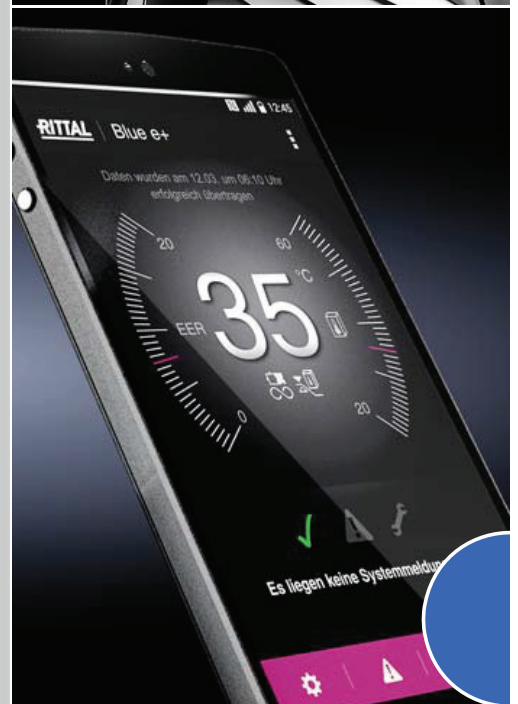
Get information faster

- Fast device analysis with RiDiag software via the USB interface
- Remote monitoring via Ethernet



Blue e+ app

- Contactless information exchange and rapid, direct on-site analysis via an NFC interface
- Send simple repair, maintenance and spare parts enquiries directly from your smartphone
- Save device data directly on the device



Easier to operate

- Fast parameterisation, data reading and plain-text system messages on the intelligent, multi-lingual, industrial-grade display



Wall-mounted cooling units Blue e+



Assembly made easy

- One version for external mounting, partial internal mounting and full internal mounting
- One mounting cut-out for external mounting, partial internal mounting and full internal mounting in multiple output categories
- Maintenance-friendly, tool-free filter mat replacement



Fast assembly

- Handle serves as both carrying and positioning aid
- Mounting clip as a securing aid
- Eyebolts for easy mounting



Maximum versatility with unique multi-voltage capability

- One device for all voltages and networks, suitable for worldwide use thanks to inverter technology:
 - 110 – 240 V, 1~, 50 – 60 Hz
 - 380 – 480 V, 3~, 50 – 60 Hz
- International approvals and certifications:
 - cULus Listed
 - EAC
 - TÜV Nord GS
 - TÜV Nord tested output measurement



Wall-mounted cooling units Blue e+



Accessories for climate control Page 454 Therm software Page 474 RiDiag software Page 474

Benefits:

- Up to 75% energy saved due to speed-regulated components and heat pipe technology
- Suitable for international use due to a unique multi-voltage capability
- Longer service life of the components inside the enclosure and the cooling unit due to component-friendly cooling
- Intuitive operation due to touch display and intelligent interfaces

Temperature control:

- e+ controller (factory setting +35°C)

Material:

- Sheet steel

Colour:

- RAL 7035

Protection category IP to IEC 60 529:

- Internal circuit IP 55

Supply includes:

- Assembly parts
- Fully wired ready for connection (plug-in terminal strip)

Note:

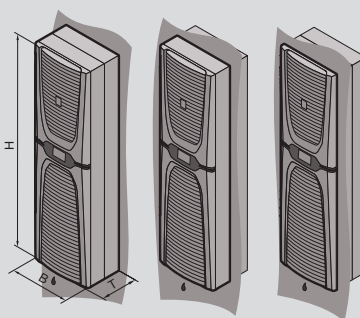
- Please observe the mounting instructions.

Approvals:

Available on the Internet

Performance diagrams:

Available on the Internet



Output class 2000 – 6000 W

Model No.	Packs of	3186.930	3187.930	3188.940	3189.940	Page
Total cooling output 50 Hz L35 L35 to DIN EN 14511 kW		2	2.6	4.2	5.8	
Total cooling output 50/60 Hz L35 L35 kW		2 / 2	2.6 / 2.6	4.2 / 4.2	5.8 / 5.8	
Total cooling output 50/60 Hz L35 L50 kW		1.29 / 1.29	1.82 / 1.82	3.02 / 3.02	4.2 / 4.2	
Rated operating voltage V, –, Hz		110 - 240, 1~, 50/60 380 - 480, 3~, 50/60	110 - 240, 1~, 50/60 380 - 480, 3~, 50/60	380 - 480, 3~, 50/60	380 - 480, 3~, 50/60	
Width (B) mm		450	450	450	450	
Height (H) mm		1600	1600	1600	1600	
Depth (T) mm		294	294	393	393	
Rated output kW		0.73	1.05	1.3	2.2	
Power consumption P _{el} 50/60 Hz L35 L35 kW		0.57 / 0.57	0.99 / 0.99	1.21 / 1.21	2.2 / 2.2	
Power consumption P _{el} 50/60 Hz L35 L50 kW		0.6 / 0.6	0.94 / 0.94	1.28 / 1.28	2.2 / 2.2	
Operating temperature range		-20°C...+60°C	-20°C...+60°C	-20°C...+60°C	-20°C...+60°C	
Setting range		+20°C...+50°C	+20°C...+50°C	+20°C...+50°C	+20°C...+50°C	
Storage temperature range		-40°C...+70°C	-40°C...+70°C	-40°C...+70°C	-40°C...+70°C	
Energy efficiency ratio (EER) 50 Hz L35 L35 to DIN EN 14511		3.5	2.63	3.46	2.64	
Seasonal energy efficiency ratio (SEER) 50/60 Hz L35 L35		8.1	6.2	8.1	6.2	
Refrigerant g		R134a, 1150	R134a, 1150	R134a, 1750	R134a, 1750	
Air throughput of fans (unimpeded air flow), internal circuit/external circuit m ³ /h		1250 / 1250	1250 / 1250	2300 / 2300	2300 / 2300	
Weight kg		55.2	55.2	72.4	72.4	
Note on Model No.		–	–	Full installation not possible	Full installation not possible	
Accessories						
Filter mats	3 pc(s).	3285.900	3285.900	3285.900	3285.900	454
Metal filters	1 pc(s).	3285.910	3285.910	3285.910	3285.910	455

Revolutionary energy efficiency with innovative hybrid technology



Unbelievably efficient

- Let hybrid technology take your cooling units' energy efficiency to a whole new level
- Active cooling circuit with speed-regulated components for demand-based cooling
- Integral heat pipe for passive cooling dissipates heat from the enclosure as soon as the ambient temperature falls below the setpoint

Transparent efficiency comparisons

- Energy Efficiency Ratio: The standard KPI
- Seasonal Energy Efficiency Ratio: Reflecting actual consumption

Amazingly economical

- Energy savings of up to 75%
- Component-friendly cooling for a longer service life
- A constant temperature inside the enclosure is ensured – with three control modes
- High operational reliability

TopTherm wall-mounted cooling units "Blue e", NEMA 4X



Accessories for climate control Page 454 Therm software Page 474 RiDiag software Page 474

Temperature control:

- e-Comfort controller (factory setting +35°C)

Protection category NEMA:

- NEMA 4X

Supply includes:

- Nano-coated condenser
- Integral electric condensate evaporation
- Fully wired ready for connection (plug-in terminal strip)
- Drilling template
- Assembly parts

Note:

- 3303.XXX without integral condensate evaporation

Approvals:

Available on the Internet

Performance diagrams:

Available on the Internet

Output class 500 – 1500 W

Model No.	Packs of	3303.504	3303.514	3304.504	3304.544	3305.504	3305.544	Page
Material	Stainless steel 1.4404 (AISI 316L)	■	■	■	■	■	■	
Total cooling output 50 Hz L35 L35 to DIN EN 14511 kW		0.55	–	1.1	1.1	1.6	1.6	
Total cooling output 50/60 Hz L35 L35 kW		0.55 / 0.66	0.66	1.1 / 1.25	1.1 / 1.26	1.6 / 1.76	1.6 / 1.61	
Total cooling output 50/60 Hz L35 L50 kW		0.33 / 0.4	0.4	0.91 / 0.9	0.98 / 0.91	1.25 / 1.37	1.33 / 1.35	
Rated operating voltage V, ~, Hz		230, 1~, 50/60	115, 1~, 60	230, 1~, 50/60	400, 3~, 50/460, 3~, 60	230, 1~, 50/60	400, 3~, 50/460, 3~, 60	
Width mm		285	285	405	405	405	405	
Height mm		620	620	1020	1020	1020	1020	
Depth mm		298	298	358	358	358	358	
Rated current max. A		2.6 / 2.6	5.7	3.9 / 4.3	2.2 / 2.1	5.5 / 5.8	2.5 / 2.8	
Start-up current A		5.1 / 6.4	11.5	12 / 14	11.5 / 12.7	12 / 14	12.2 / 11.3	
Pre-fuse A		10	10	10	–	16	–	
Transformer circuit-breaker		–	–	–	–	–	–	
Motor circuit-breaker A		–	–	–	6.3...10	–	6.3...10	
Power consumption P _{el} 50/60 Hz L35 L35 kW		0.39 / 0.41	0.47	0.64 / 0.68	0.64 / 0.79	0.87 / 0.98	0.9 / 1.08	
Power consumption P _{el} 50/60 Hz L35 L50 kW		0.42 / 0.39	0.5	0.71 / 0.81	0.73 / 0.93	0.9 / 1.15	1.06 / 1.25	
Operating temperature range		+10°C...+50°C	+10°C...+50°C	+10°C...+50°C	+10°C...+50°C	+10°C...+50°C	+10°C...+50°C	
Setting range		+20°C...+50°C	+20°C...+50°C	+20°C...+50°C	+20°C...+50°C	+20°C...+50°C	+20°C...+50°C	
Energy efficiency ratio (EER) 50 Hz L35 L35 to DIN EN 14511		1.4	1.31	1.83	1.83	1.83	1.83	
Refrigerant g		R134a, 170	R134a, 170	R134a, 325	R134a, 325	R134a, 600	R134a, 600	
Permissible operating pressure (p. max.) bar		28	28	28	28	28	28	
Air throughput of fans (unimpeded air flow), internal circuit/external circuit m ³ /h		265 / 315	280 / 345	600 / 900	600 / 900	800 / 900	800 / 900	
Weight kg		25.0	25.0	49.0	50.0	51.0	52.0	
Accessories								
Door-operated switch	1 pc(s).	4127.010	4127.010	4127.010	4127.010	4127.010	4127.010	755

TopTherm wall-mounted cooling units "Blue e", NEMA 4X

Output class 2000 – 2500 W

Model No.	Packs of	3328.504	3328.544	3329.504	3329.544	Page
Material	Stainless steel 1.4404 (AISI 316L)	■	■	■	■	
Total cooling output 50 Hz L35 L35 to DIN EN 14511 kW		2.2	2.2	2.55	2.55	
Total cooling output 50/60 Hz L35 L35 kW		2.2 / 2.56	2.2 / 2.55	2.55 / 2.71	2.55 / 2.75	
Total cooling output 50/60 Hz L35 L50 kW		1.62 / 1.75	1.45 / 1.69	1.84 / 1.92	1.9 / 1.95	
Rated operating voltage V, ~, Hz		230, 1~, 50/60	400, 3~, 50 460, 3~, 60	230, 1~, 50/60	400, 3~, 50 460, 3~, 60	
Width mm		405	405	405	405	
Height mm		1650	1650	1650	1650	
Depth mm		388	388	388	388	
Rated current max. A		6.1 / 6.6	2.8 / 3.3	8.2 / 9.3	3.7 / 3.8	
Start-up current A		20 / 22	6.8 / 7.8	20 / 24	6.8 / 7.6	
Pre-fuse A		16	–	16	–	
Transformer circuit-breaker		–	–	–	–	
Motor circuit-breaker A		–	6.3...10	–	6.3...10	
Power consumption P _{el} 50/60 Hz L35 L35 kW		0.91 / 1.03	0.92 / 1.15	1.21 / 1.35	1.19 / 1.39	
Power consumption P _{el} 50/60 Hz L35 L50 kW		1.06 / 1.25	1.15 / 1.4	1.41 / 1.64	1.44 / 1.75	
Operating temperature range		+10°C...+50°C	+10°C...+50°C	+10°C...+50°C	+10°C...+50°C	
Setting range		+20°C...+50°C	+20°C...+50°C	+20°C...+50°C	+20°C...+50°C	
Energy efficiency ratio (EER) 50 Hz L35 L35 to DIN EN 14511		2.4	2.4	2.11	2.11	
Refrigerant g		R134a, 900	R134a, 900	R134a, 900	R134a, 900	
Permissible operating pressure (p. max.) bar		28	28	28	28	
Air throughput of fans (unimpeded air flow), internal circuit/external circuit m ³ /h		980 / 980	900 / 900	1230 / 1230	1200 / 1200	
Weight kg		80.0	81.0	83.0	84.0	
Accessories						
Door-operated switch	1 pc(s).	4127.010	4127.010	4127.010	4127.010	755

Technology library

Rittal – The System.
Faster - better - everywhere.

The world of IT infrastructures
Background information and decision-making criteria

4 Real energy saving
3 Real energy saving
2 Real energy saving
1 Real energy saving

Specialist know-how
see Rittal website

FRIBERGHEIM LÖB GROUP

TopTherm roof-mounted cooling units "Blue e"



Accessories for climate control Page 454 Therm software Page 474 RiDiag software Page 474 Air routing Page 461

Temperature control:

- e-Comfort controller (factory setting +35°C)

Protection category IP to IEC 60 529:

- External circuit IP 34
- Internal circuit IP 54

Supply includes:

- Nano-coated condenser
- Integral electric condensate evaporation
- Fully wired ready for connection (plug-in terminal strip)
- Drilling template
- Assembly parts

Note:

- The roof-mounted cooling unit 3273.500 is also suitable for office applications, thanks to its low noise level.

Approvals:

Available on the Internet

Performance diagrams:

Available on the Internet

Output class 500 W

Model No.	Packs of	3382.500	3382.510	3382.600	Page
Material	Sheet steel	■	■	-	
	Stainless steel	-	-	■	
Colour	RAL 7035	■	■	-	
Total cooling output 50 Hz L35 L35 to DIN EN 14511 kW		0.55	0.55	0.55	
Total cooling output 50/60 Hz L35 L35 kW		0.55 / 0.62	0.55 / 0.62	0.55 / 0.62	
Total cooling output 50/60 Hz L35 L50 kW		0.42 / 0.48	0.42 / 0.48	0.42 / 0.48	
Rated operating voltage V, ~, Hz		230, 1~, 50/60	115, 1~, 50/60	230, 1~, 50/60	
Width mm		597	597	597	
Height mm		417	417	417	
Depth mm		380	380	380	
Rated current max. A		2.3 / 2.6	4.7 / 5.4	2.3 / 2.6	
Start-up current A		9.1 / 8.8	18.2 / 15.9	9.1 / 8.8	
Pre-fuse A		10	-	10	
Transformer circuit-breaker A		-	6.3...10	-	
Motor circuit-breaker		-	-	-	
Power consumption P _{el} 50/60 Hz L35 L35 kW		0.27 / 0.31	0.27 / 0.31	0.27 / 0.32	
Power consumption P _{el} 50/60 Hz L35 L50 kW		0.31 / 0.37	0.31 / 0.37	0.31 / 0.37	
Operating temperature range		+10°C...+55°C	+10°C...+55°C	+10°C...+55°C	
Setting range		+20°C...+55°C	+20°C...+55°C	+20°C...+55°C	
Energy efficiency ratio (EER) 50 Hz L35 L35 to DIN EN 14511		2.04	2.04	2.04	
Refrigerant g		R134a, 300	R134a, 300	R134a, 300	
Permissible operating pressure (p. max.) bar		28	28	28	
Air throughput of fans (unimpeded air flow), internal circuit/external circuit m ³ /h		170 / 800	170 / 800	170 / 800	
Weight kg		30.0	35.0	30.0	
Accessories					
Filter mats	3 pc(s).	3286.500	3286.500	3286.500	454
Metal filters	1 pc(s).	3286.510	3286.510	3286.510	455
Door-operated switch	1 pc(s).	4127.010	4127.010	4127.010	755
Air duct system	1 pc(s).	3286.870	3286.870	3286.870	461

TopTherm roof-mounted cooling units "Blue e"

Output class 750 W

Model No.		Packs of	3359.500	3359.510	3359.540	3359.600	Page
Material	Sheet steel		■	■	■	–	
	Stainless steel		–	–	–	■	
Colour	RAL 7035		■	■	■	–	
Total cooling output 50 Hz L35 L35 to DIN EN 14511 kW			0.77	0.77	0.77	0.77	
Total cooling output 50/60 Hz L35 L35 kW			0.77 / 0.79	0.77 / 0.79	0.77 / 0.79	0.77 / 0.79	
Total cooling output 50/60 Hz L35 L50 kW			0.52 / 0.47	0.52 / 0.47	0.52 / 0.47	0.52 / 0.47	
Rated operating voltage V, ~, Hz			230, 1~, 50/60	115, 1~, 50/60	400, 2~, 50/60	230, 1~, 50/60	
Width mm			597	597	597	597	
Height mm			417	417	417	417	
Depth mm			380	380	380	380	
Rated current max. A			2.8 / 3.7	5.6 / 7.4	1.6 / 2.1	2.8 / 3.7	
Start-up current A			9.2 / 9	18.4 / 18	5.4 / 5.2	9.2 / 9	
Pre-fuse A			10	–	–	10	
Transformer circuit-breaker A			–	11...16	6.3...10	–	
Motor circuit-breaker			–	–	–	–	
Power consumption P _{el} 50/60 Hz L35 L35 kW			0.33 / 0.43	0.33 / 0.43	0.33 / 0.43	0.33 / 0.43	
Power consumption P _{el} 50/60 Hz L35 L50 kW			0.49 / 0.42	0.49 / 0.42	0.49 / 0.42	0.49 / 0.42	
Operating temperature range			+10°C...+55°C	+10°C...+55°C	+10°C...+55°C	+10°C...+55°C	
Setting range			+20°C...+55°C	+20°C...+55°C	+20°C...+55°C	+20°C...+55°C	
Energy efficiency ratio (EER) 50 Hz L35 L35 to DIN EN 14511			2.28	2.28	2.28	2.28	
Refrigerant g			R134a, 400	R134a, 400	R134a, 400	R134a, 400	
Permissible operating pressure (p. max.) bar			28	28	28	28	
Air throughput of fans (unimpeded air flow), internal circuit/external circuit m ³ /h			585 / 800	440 / 910	585 / 800	585 / 800	
Weight kg			32.0	37.0	37.0	32.0	
Accessories							
Filter mats		3 pc(s).	3286.500	3286.500	3286.500	3286.500	454
Metal filters		1 pc(s).	3286.510	3286.510	3286.510	3286.510	455
Door-operated switch		1 pc(s).	4127.010	4127.010	4127.010	4127.010	755
Air duct system		1 pc(s).	3286.870	3286.870	3286.870	3286.870	461

Output class 1000 W

Model No.		Packs of	3383.500	3383.510	3383.540	3383.600	Page
Material	Sheet steel		■	■	■	–	
	Stainless steel		–	–	–	■	
Colour	RAL 7035		■	■	■	–	
Total cooling output 50 Hz L35 L35 to DIN EN 14511 kW			1	1	1	1	
Total cooling output 50/60 Hz L35 L35 kW			1 / 1.09	1 / 1.09	1 / 1.09	1 / 1.09	
Total cooling output 50/60 Hz L35 L50 kW			0.71 / 0.81	0.71 / 0.81	0.71 / 0.81	0.71 / 0.81	
Rated operating voltage V, ~, Hz			230, 1~, 50/60	115, 1~, 50/60	400, 2~, 50/60	230, 1~, 50/60	
Width mm			597	597	597	597	
Height mm			417	417	417	417	
Depth mm			475	475	475	475	
Rated current max. A			2.9 / 3.9	6.2 / 8.4	1.7 / 2.2	2.9 / 3.9	
Start-up current A			8.8 / 10.1	14.4 / 15.8	4.6 / 5.7	8.8 / 10.1	
Pre-fuse A			10	–	–	10	
Transformer circuit-breaker A			–	11...16	6.3...10	–	
Motor circuit-breaker			–	–	–	–	
Power consumption P _{el} 50/60 Hz L35 L35 kW			0.38 / 0.47	0.38 / 0.45	0.38 / 0.45	0.38 / 0.47	
Power consumption P _{el} 50/60 Hz L35 L50 kW			0.45 / 0.57	0.43 / 0.54	0.42 / 0.54	0.43 / 0.55	
Operating temperature range			+10°C...+55°C	+10°C...+55°C	+10°C...+55°C	+10°C...+55°C	
Setting range			+20°C...+55°C	+20°C...+55°C	+20°C...+55°C	+20°C...+55°C	
Energy efficiency ratio (EER) 50 Hz L35 L35 to DIN EN 14511			2.58	2.58	2.58	2.58	
Refrigerant g			R134a, 650	R134a, 650	R134a, 650	R134a, 650	
Permissible operating pressure (p. max.) bar			28	28	28	28	
Air throughput of fans (unimpeded air flow), internal circuit/external circuit m ³ /h			491 / 1600	491 / 1600	491 / 1600	491 / 1600	
Weight kg			40.0	46.0	46.0	40.0	
Accessories							
Filter mats		3 pc(s).	3286.500	3286.500	3286.500	3286.500	454
Metal filters		1 pc(s).	3286.510	3286.510	3286.510	3286.510	455
Door-operated switch		1 pc(s).	4127.010	4127.010	4127.010	4127.010	755
Air duct system		1 pc(s).	3286.870	3286.870	3286.870	3286.870	461

TopTherm roof-mounted cooling units "Blue e"

Output class 1100 – 1500 W

Model No.		Packs of	3273.500	3384.500	3384.510	3384.540	3384.600	Page
Material	Sheet steel		■	■	■	■	–	
	Stainless steel		–	–	–	–	■	
Colour	RAL 7035		■	■	■	■	–	
Total cooling output 50 Hz L35 L35 to DIN EN 14511 kW			1.1	1.5	1.5	1.5	1.5	
Total cooling output 50/60 Hz L35 L35 kW			1.1 / 1.2	1.5 / 1.65	1.5 / 1.65	1.5 / 1.65	1.5 / 1.65	
Total cooling output 50/60 Hz L35 L50 kW			0.85 / 0.87	1.15 / 1.3	1.15 / 1.3	1.15 / 1.3	1.15 / 1.3	
Rated operating voltage V, ~, Hz			230, 1~, 50/60	230, 1~, 50/60	115, 1~, 50/60	400, 2~, 50/60	230, 1~, 50/60	
Width mm			597	597	597	597	597	
Height mm			417	417	417	417	417	
Depth mm			475	475	475	475	475	
Rated current max. A			5.2 / 5.4	4.2 / 4.9	8.7 / 10.1	2.5 / 2.9	4.2 / 4.9	
Start-up current A			15.5 / 16.5	14.7 / 13.6	27.2 / 23.2	8.7 / 7.6	14.7 / 13.6	
Pre-fuse A			10	10	–	–	10	
Transformer circuit-breaker A			–	–	14...20	6.3...10	–	
Motor circuit-breaker			–	–	–	–	–	
Power consumption P _{el} 50/60 Hz L35 L35 kW			0.51 / 0.53	0.67 / 0.77	0.67 / 0.76	0.67 / 0.76	0.67 / 0.77	
Power consumption P _{el} 50/60 Hz L35 L50 kW			0.59 / 0.73	0.79 / 0.91	0.8 / 0.93	0.79 / 0.93	0.79 / 0.91	
Operating temperature range			+10°C...+55°C	+10°C...+55°C	+10°C...+55°C	+10°C...+55°C	+10°C...+55°C	
Setting range			+20°C...+55°C	+20°C...+55°C	+20°C...+55°C	+20°C...+55°C	+20°C...+55°C	
Energy efficiency ratio (EER) 50 Hz L35 L35 to DIN EN 14511			2.12	2.24	2.24	2.24	2.24	
Refrigerant g			R134a, 700	R134a, 700	R134a, 700	R134a, 700	R134a, 700	
Permissible operating pressure (p. max.) bar			28	28	28	28	28	
Air throughput of fans (unimpeded air flow), internal circuit/external circuit m ³ /h			440 / 1760	491 / 1600	491 / 1600	491 / 1600	491 / 1600	
Weight kg			42.0	41.0	47.0	47.0	41.0	
Accessories								
Filter mats		3 pc(s).	3286.500	3286.500	3286.500	3286.500	3286.500	454
Metal filters		1 pc(s).	3286.510	3286.510	3286.510	3286.510	3286.510	455
Door-operated switch		1 pc(s).	4127.010	4127.010	4127.010	4127.010	4127.010	755
Air duct system		1 pc(s).	3286.870	3286.870	3286.870	3286.870	3286.870	461

Output class 2000 W

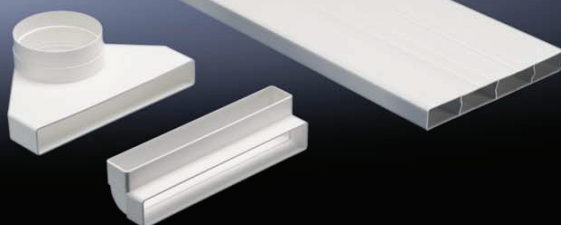
Model No.		Packs of	3385.500	3385.510	3385.540	3385.600	3385.640	Page
Material	Sheet steel		■	■	■	–	–	
	Stainless steel		–	–	–	■	■	
Colour	RAL 7035		■	■	■	–	–	
Total cooling output 50 Hz L35 L35 to DIN EN 14511 kW			2	2	2	2	2	
Total cooling output 50/60 Hz L35 L35 kW			2 / 2.14	2 / 2.14	2 / 2.14	2 / 2.14	2 / 2.14	
Total cooling output 50/60 Hz L35 L50 kW			1.41 / 1.51	1.41 / 1.51	1.41 / 1.51	1.41 / 1.51	1.41 / 1.51	
Rated operating voltage V, ~, Hz			230, 1~, 50/60	115, 1~, 50/60	400, 2~, 50/60	230, 1~, 50/60	400, 2~, 50/60	
Width mm			597	597	597	597	597	
Height mm			417	417	417	417	417	
Depth mm			475	475	475	475	475	
Rated current max. A			5.9 / 6.3	13.3 / 13.5	3.5 / 3.7	5.9 / 6.3	3.5 / 3.7	
Start-up current A			19.7 / 17.9	42.2 / 31.1	11.7 / 11.7	19.7 / 17.9	11.7 / 11.7	
Pre-fuse A			10	–	–	10	–	
Transformer circuit-breaker A			–	14...20	6.3...10	–	6.3...10	
Motor circuit-breaker			–	–	–	–	–	
Power consumption P _{el} 50/60 Hz L35 L35 kW			0.95 / 1.14	0.95 / 1.17	0.95 / 1.17	0.95 / 1.14	0.96 / 1.17	
Power consumption P _{el} 50/60 Hz L35 L50 kW			1.07 / 1.23	1.07 / 1.24	1.07 / 1.24	1.07 / 1.23	1.07 / 1.24	
Operating temperature range			+10°C...+55°C	+10°C...+55°C	+10°C...+55°C	+10°C...+55°C	+10°C...+55°C	
Setting range			+20°C...+55°C	+20°C...+55°C	+20°C...+55°C	+20°C...+55°C	+20°C...+55°C	
Energy efficiency ratio (EER) 50 Hz L35 L35 to DIN EN 14511			2.09	2.09	2.09	2.09	2.09	
Refrigerant g			R134a, 900	R134a, 900	R134a, 900	R134a, 900	R134a, 900	
Permissible operating pressure (p. max.) bar			28	28	28	28	28	
Air throughput of fans (unimpeded air flow), internal circuit/external circuit m ³ /h			470 / 1760	470 / 1760	470 / 1760	470 / 1760	470 / 1760	
Weight kg			42.0	48.0	48.0	42.0	48.0	
Accessories								
Filter mats		3 pc(s).	3286.500	3286.500	3286.500	3286.500	3286.500	454
Metal filters		1 pc(s).	3286.510	3286.510	3286.510	3286.510	3286.510	455
Door-operated switch		1 pc(s).	4127.010	4127.010	4127.010	4127.010	4127.010	755
Air duct system		1 pc(s).	3286.870	3286.870	3286.870	3286.870	3286.870	461

TopTherm roof-mounted cooling units "Blue e"

Output class 3000 – 4000 W

Model No.	Packs of	3386.540	3386.640	3387.540	3387.640	Page
Material	Sheet steel	■	–	■	–	
	Stainless steel	–	■	–	■	
Colour	RAL 7035	■	–	■	–	
Total cooling output 50 Hz L35 L35 to DIN EN 14511 kW		3	3	3.8	3.8	
Total cooling output 50/60 Hz L35 L35 kW		3 / 3.3	3 / 3.3	3.8 / 4	3.8 / 4	
Total cooling output 50/60 Hz L35 L50 kW		2.2 / 2.5	2.2 / 2.5	3.05 / 3.3	3.05 / 3.3	
Rated operating voltage V, ~, Hz		400, 3~, 50 460, 3~, 60	400, 3~, 50 460, 3~, 60	400, 3~, 50 460, 3~, 60	400, 3~, 50 460, 3~, 60	
Width mm		796	796	796	796	
Height mm		470	470	470	470	
Depth mm		580	580	580	580	
Rated current max. A		3.4 / 3.4	3.4 / 3.4	3.9 / 3.9	3.9 / 3.9	
Start-up current A		8 / 9	8 / 9	17 / 19	17 / 19	
Pre-fuse		–	–	–	–	
Transformer circuit-breaker		–	–	–	–	
Motor circuit-breaker A		6.3...10	6.3...10	6.3...10	6.3...10	
Power consumption P _{el} 50/60 Hz L35 L35 kW		1.17 / 1.48	1.17 / 1.48	1.59 / 2.03	1.59 / 2.03	
Power consumption P _{el} 50/60 Hz L35 L50 kW		1.42 / 1.76	1.42 / 1.76	1.84 / 2.31	1.84 / 2.31	
Operating temperature range		+10°C...+55°C	+10°C...+55°C	+10°C...+55°C	+10°C...+55°C	
Setting range		+20°C...+55°C	+20°C...+55°C	+20°C...+55°C	+20°C...+55°C	
Energy efficiency ratio (EER) 50 Hz L35 L35 to DIN EN 14511		2.56	2.56	2.38	2.38	
Refrigerant g		R134a, 1600	R134a, 1600	R134a, 1800	R134a, 1800	
Permissible operating pressure (p. max.) bar		28	28	28	28	
Air throughput of fans (unimpeded air flow), internal circuit/external circuit m ³ /h		1280 / 3450	1280 / 3450	1420 / 3870	1420 / 3870	
Weight kg		70.0	70.0	77.0	77.0	
Accessories						
Filter mats	3 pc(s).	3286.600	3286.600	3286.600	3286.600	454
Metal filters	1 pc(s).	3286.610	3286.610	3286.610	3286.610	455
Door-operated switch	1 pc(s).	4127.010	4127.010	4127.010	4127.010	755
Air duct system	1 pc(s).	3286.970	3286.970	3286.970	3286.970	461

Accessories



Air duct system

see page 461

Modular climate control concept - Cooling module "Blue e"



Accessories for climate control Page 454 TS 8 enclosures Page 74 Therm software Page 474 RiDiag software Page 474

All cooling modules can be combined individually with every section door.

Temperature control:

- e-Comfort controller (factory setting +35°C)

Material:

- Sheet steel

Colour:

- RAL 7035

Protection category IP to IEC 60 529:

- External circuit IP 34
- Internal circuit IP 54

Supply includes:

- Cooling module prepared for installation in section door
- Nano-coated condenser
- Integral electric condensate evaporation
- Fully wired ready for connection (plug-in terminal strip)

Note:

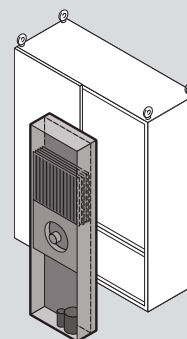
- A base/plinth with a height of 100 or 200 mm is required for efficient operation

Approvals:

Available on the Internet

Performance diagrams:

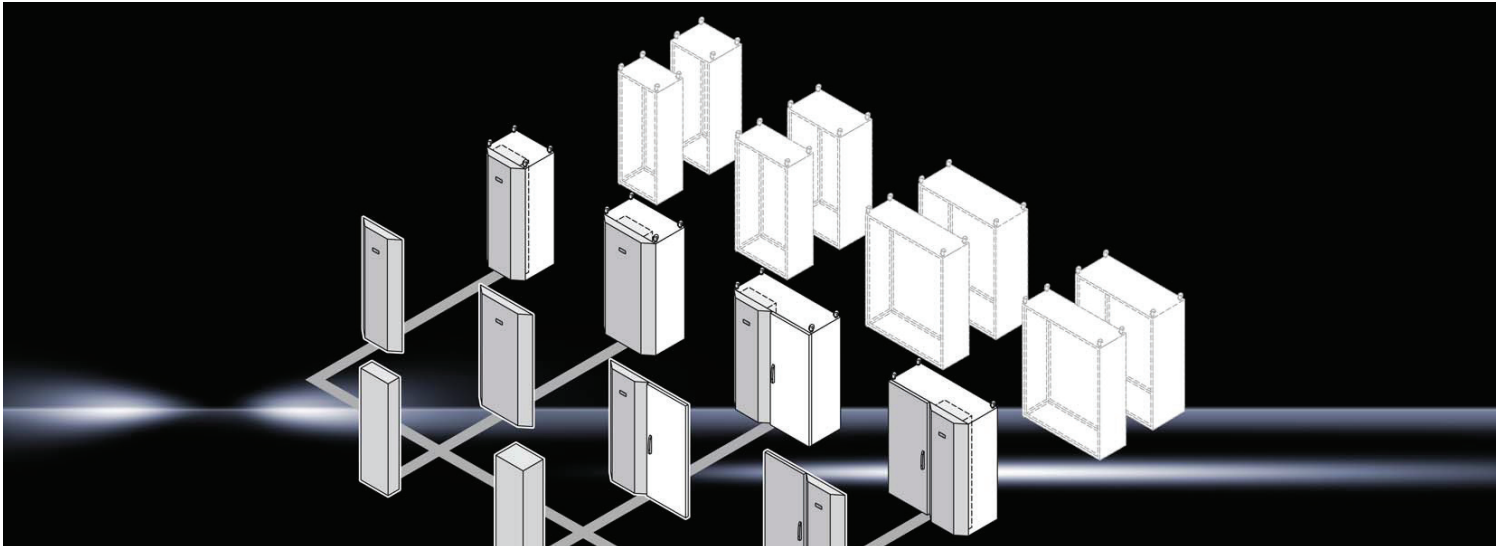
Available on the Internet



Output class 1500 – 2500 W

Model No.	Packs of	3307.700	3307.740	3310.700	3310.740	Page
Material	Sheet steel	■	■	■	■	
Rated operating voltage V, ~, Hz		230, 1~, 50/60	400, 3~, 50 460, 3~, 60	230, 1~, 50/60	400, 3~, 50 460, 3~, 60	
Total cooling output 50/60 Hz L35 L35 kW		1.55 / 1.55	1.55 / 1.55	2.5 / 2.52	2.5 / 2.5	
Total cooling output 50/60 Hz L35 L50 kW		0.85 / 0.9	0.93 / 0.95	1.62 / 1.76	1.76 / 1.8	
Rated current max. A		6 / 6.1	2.5 / 2.7	7.6 / 9.4	3.5 / 3.7	
Start-up current A		22 / 24	8.5 / 9.2	22 / 24	13 / 14	
Pre-fuse A		16	-	16	-	
Motor circuit-breaker A		-	6.3...10	-	6.3...10	
Power consumption P _{el} 50/60 Hz L35 L35 kW		0.85 / 1.05	0.79 / 1	1.31 / 1.52	1.13 / 1.48	
Power consumption P _{el} 50/60 Hz L35 L50 kW		1 / 1.15	0.9 / 1.1	1.48 / 1.85	1.4 / 1.75	
Operating temperature range		+10°C...+55°C	+10°C...+55°C	+10°C...+55°C	+10°C...+55°C	
Setting range		+20°C...+55°C	+20°C...+55°C	+20°C...+55°C	+20°C...+55°C	
Energy efficiency ratio (EER) 50 Hz L35 L35 to DIN EN 14511		1.76	1.9	1.91	2.21	
Refrigerant g		R134a, 700	R134a, 700	R134a, 1175	R134a, 1175	
Permissible operating pressure (p. max.) bar		28	28	30	30	
Air throughput of fans (unimpeded air flow), internal circuit/external circuit m ³ /h		600 / 1100	600 / 1100	1100 / 1100	1100 / 1100	
Weight kg		68.0	68.0	73.0	72.0	
Also required						
Modular climate control concept - Section doors		see page	see page	see page	see page	435
Accessories						
Door-operated switch	1 pc(s).	4127.010	4127.010	4127.010	4127.010	755
Master/slave cable	1 pc(s).	3124.100	3124.100	3124.100	3124.100	471
Interface board	1 pc(s).	3124.200	3124.200	3124.200	3124.200	470

Modular climate control concept - Section doors



Accessories for climate control Page 454 TS 8 enclosures Page 74 Therm software Page 474

Material:

- Sheet steel

Colour:

- RAL 7035

Supply includes:

- Section door without preconfigured cooling module
- TS 8 hinges, door opening angle approx. 110°

Note:

- The following information applies to 1200 mm wide TS 8 enclosures
- With the unit positioned on the right, one pack consists of a section door for installing in the right-hand half of the enclosure plus a special lockable door for the left-hand half.
- With the unit positioned on the left, one pack consists of a section door for installing in the left-hand half of the enclosure. The existing lockable door on the right may be used.

Approvals:

Available on the Internet

for installing cooling modules

Model No.	Packs of	3300.040	3300.050	3300.060	3300.070	3300.080	3300.090	3300.110	3300.120	Page
Dimensions to fit enclosure type		TS 8	TS 8	TS 8	TS 8	TS 8	TS 8	TS 8	TS 8	
with height mm		1800	2000	1800	2000	1800	2000	1800	2000	
with width mm		600	600	800	800	1200	1200	1200	1200	
Unit positioned on the left		-	-	-	-	■	■	-	-	
Unit positioned on the right		-	-	-	-	-	-	■	■	
Weight kg		24.0	27.0	34.0	35.0	25.0	28.0	48.0	57.5	
Also required										
Modular climate control concept - Cooling module "Blue e"		see page	see page	see page	see page	see page	see page	see page	see page	434
Accessories										
Metal filters	1 pc(s).	3284.210	3284.210	3284.210	3284.210	3284.210	3284.210	3284.210	3284.210	455

Rittal – The System.

Faster – better – everywhere.

